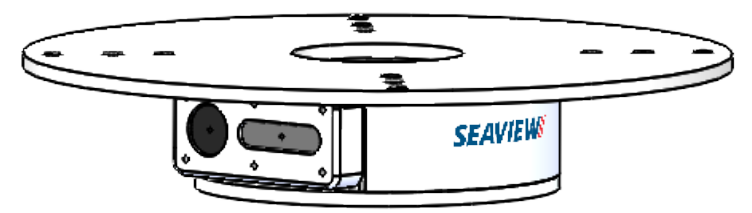
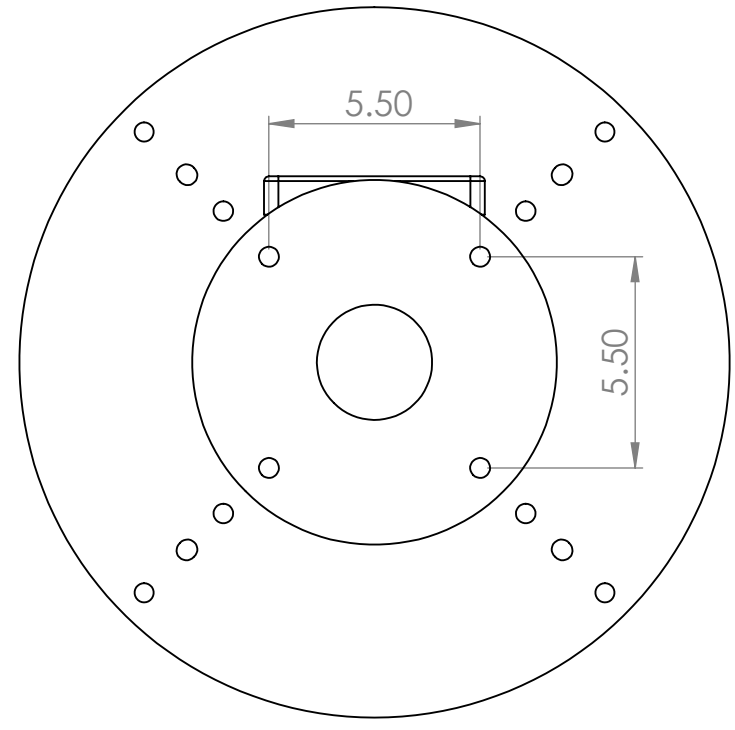
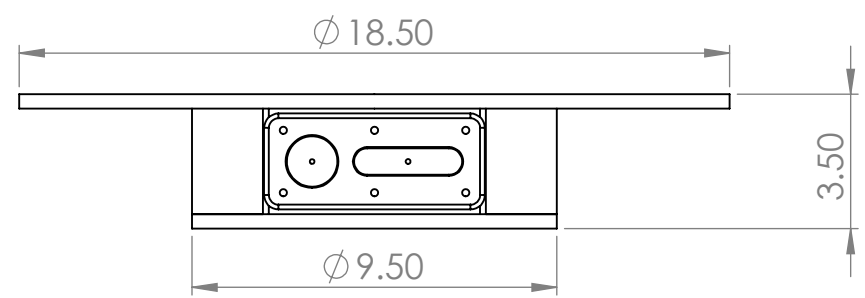
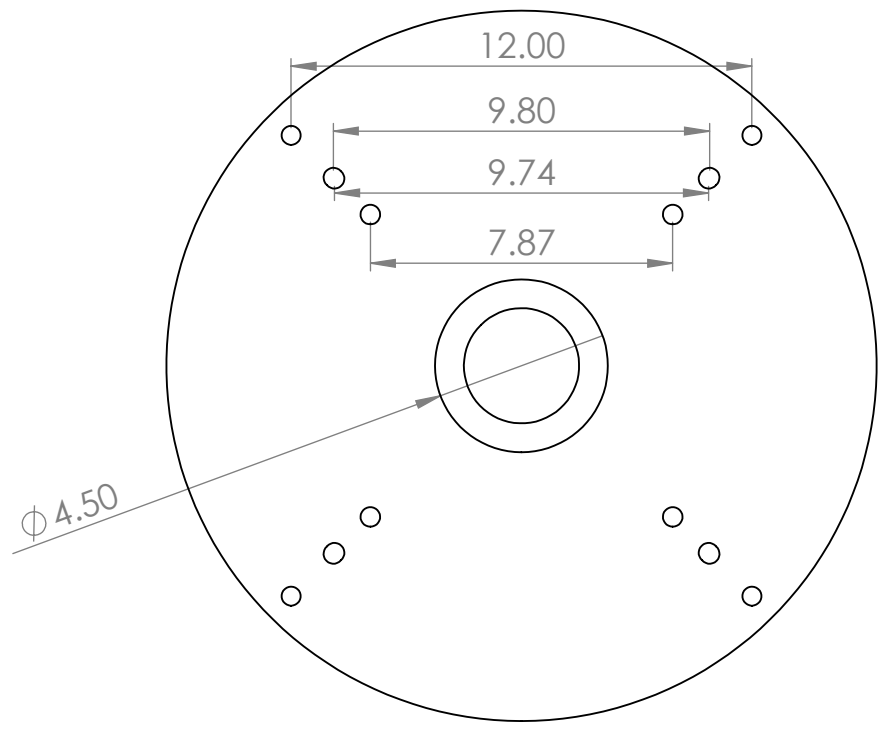



8 7 6 5 4 3 2 1

D
C
B
A



D
C
B
A

PROPRIETARY AND CONFIDENTIAL
THE INFORMATION CONTAINED IN THIS DRAWING IS THE SOLE PROPERTY OF SEAVIEW. ANY REPRODUCTION IN PART OR AS A WHOLE WITHOUT THE WRITTEN PERMISSION OF SEAVIEW IS PROHIBITED.

		UNLESS OTHERWISE SPECIFIED:		NAME	DATE	 TITLE: Low Profile Satdome Adapter		
		DIMENSIONS ARE IN INCHES		DRAWN	J.A.			03.16.21
		TOLERANCES:		CHECKED				
		FRACTIONAL ±		ENG APPR.				
		ANGULAR: MACH ± BEND ±		MFG APPR.				
		TWO PLACE DECIMAL ±.01		Q.A.				
		THREE PLACE DECIMAL ±.003		COMMENTS:				
		INTERPRET GEOMETRIC TOLERANCING PER:						
		MATERIAL						
		Aluminum						
		FINISH						
		Powder coated						
NEXT ASSY	USED ON	DO NOT SCALE DRAWING						
APPLICATION								
				SIZE	DWG. NO.	REV		
				B	AMA32	A		
				SCALE: 1:5	WEIGHT:	SHEET 1 OF 1		

8 7 6 5 4 3 2 1