



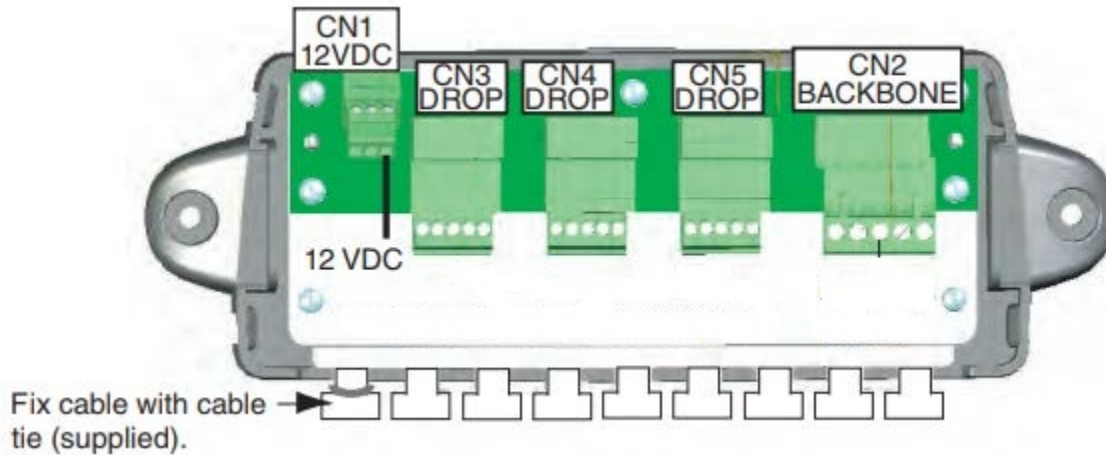
FI5002

Supplemental Instructions

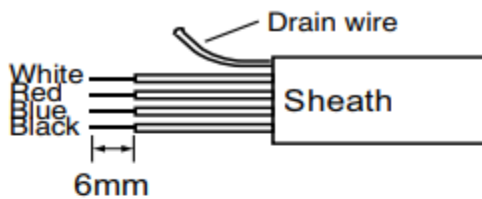
FI5002 Junction box (option)

The junction box can be used when connecting CAN bus network items. For some installations it can serve as your primary NMEA 2000 backbone/network. This document covers wiring of the junction box.

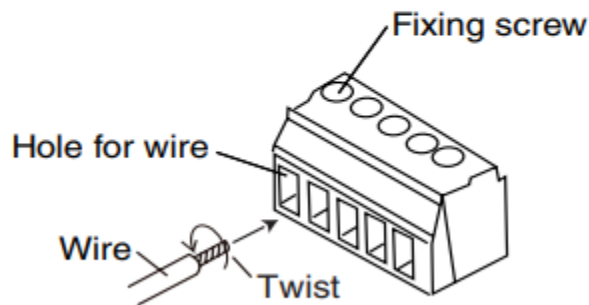
For how to mount the junction box, see its installation instructions, issued separately.



CN3 DROP - CN5 DROP and BACKBONE are socket-and-plug-type terminal blocks. Detach plug to connect wiring to it, by rocking it back and forth with your fingers. Remove approx. 6 mm of the sheath from the end of wires and twist wires. Loosen fixing screw in the plug, insert wire into hole to the corresponding color and tighten fixing screw. Set plug back into socket.



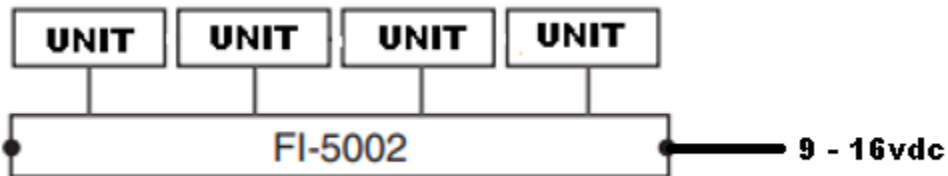
How to fabricate cable



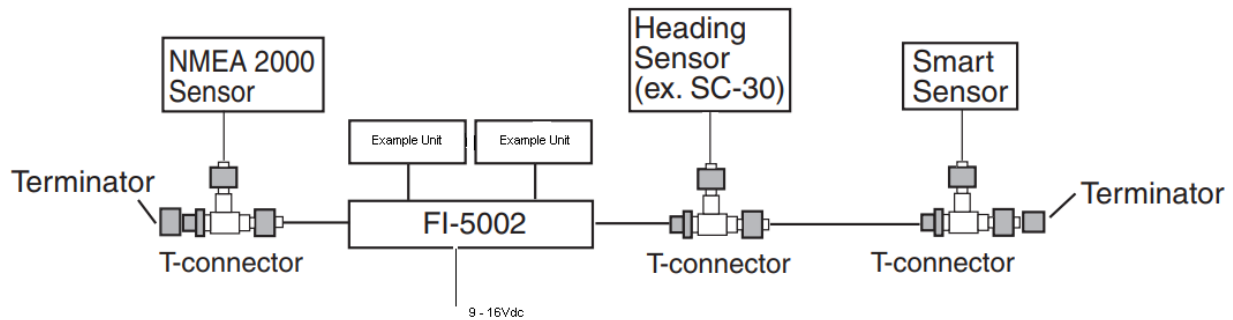
How to insert wire

Terminal resistor

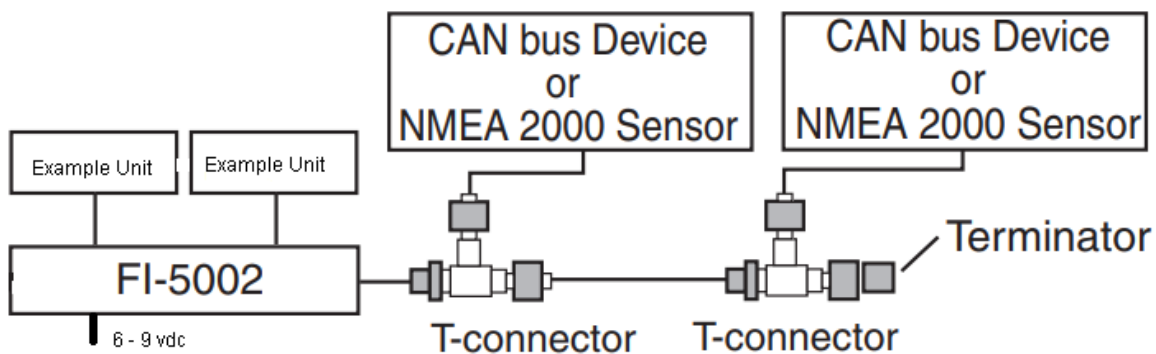
The illustration below shows various system configurations and when to activate the terminal resistor. Any single Canbus network must only have two terminations. The FI-5002 can have zero, one, or two terminations turned "ON" based on the needs of your network design.



(Typical example above of Canbus/NMEA 2000 units connected to the FI-5002 as a complete bus. This example would require both terminations of the FI-5002 be turned ON)

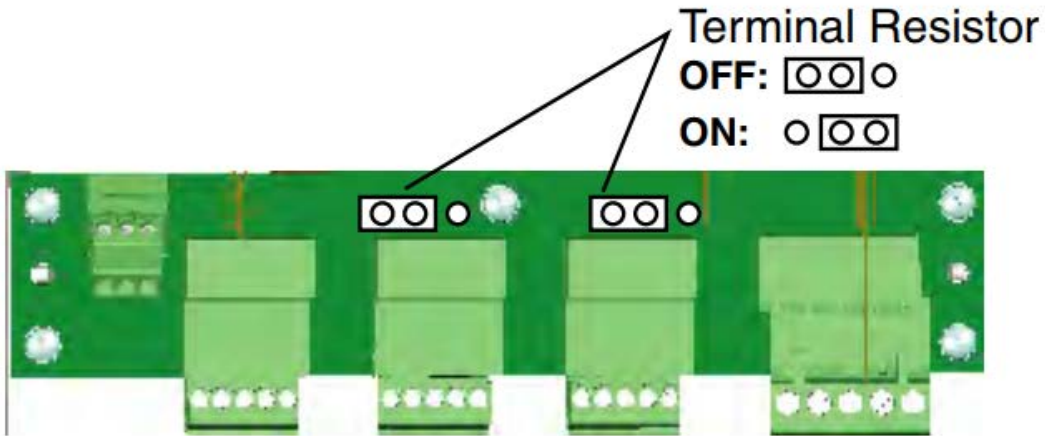


(Example above of using the FI-5002 junction box as a multi-tee and bus power. In this example the bus has two existing terminators so ZERO terminations are used in the junction box.)



(Example above of using FI-5002 Junction as a multi-tee and bus power. In this example the bus has only one existing terminator so one termination is turned ON in the junction box to provide the total needed two terminations.)

The FI-5002 has two termination On/Off jumpers to configure as needed for your installation.



WARNING:

When using the FI-5002 as your bus power source, ensure that the bus power requirements fall within the supported LEN value. You should NOT use a normal bus power tee and the FI-5002 power at the same time without proper isolation. The FI5002 junction box can be used without its power connection when an existing bus has power already present. If you have questions about your unique install, please contact your Furuno Dealer or Furuno Technical support.

Furuno USA Technical Support - Phone 410-479-4420 / 360-834-9300