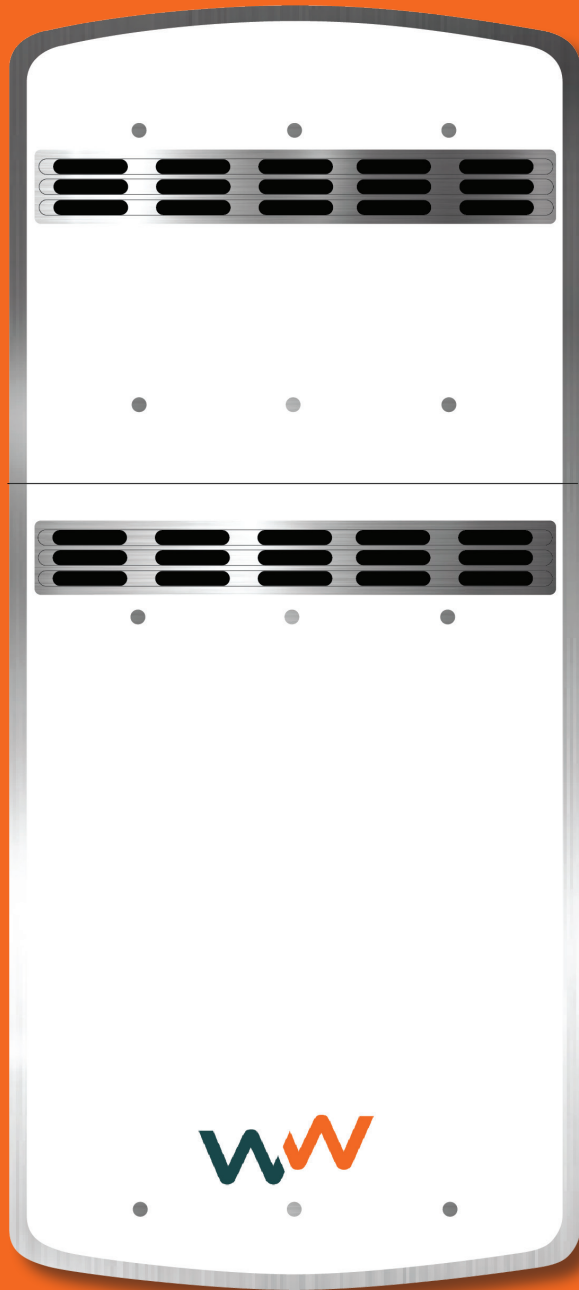




# Quiet and Clean

Go electric with the WaterWorld inboard drive systems



## **WHY CHOOSE WATERWORLD?**

The WaterWorld inboard drive systems are silent and work efficiently. Choose the sustainable solution and sail emission free. Experience the comfort of electric sailing.

### **DURABLE**

Due to the high efficiency of the WaterWorld system, one can easily sail the whole day with the right battery pack. And don't worry, you can always charge in one night.

### **RELIABLE**

The proven Dutch technology and ease of installation ensure you can trust on your WaterWorld system. All the R&D and production is done inhouse, in the Netherlands. Therefore, we can truly guarantee our quality.

### **AFFORDABLE**

A WaterWorld system does not have to be more expensive than a traditional combustion engine. This is due to the efficient production, ease of installation and minimal maintenance of the systems.



## **WATERWORLD OFFER**

### A COMPLETE PACKAGE

WaterWorld provides a complete package to electrify your boat. The package includes the electric drive, throttle and colour display.



## THE WATERWORLD PACKAGE

### **COLOUR DISPLAY**

Easily see your remaining sailing time

Check your drivetrain status

Touchscreen

### **THROTTLE**

Modern design

Comfortable grip

Smooth operation

### **ENGINE**

Available in four versions (4kW - 15-20 kW)

Air cooled

Easy installation



## **RANGE & SPECIFICATIONS**

### **THE ENGINES**

WaterWorld offers four different engines, from 4 kW to 15-20 kW. When selecting your engine be aware that each boat is very different, and please inform at your supplier which engine & batterypack fits your boat and sailing preferences best.

# THE WATERWORLD RANGE



<b>WW MODEL*</b>	<b>4.0 kW</b>	<b>7.5 kW</b>	<b>10.0 kW</b>	<b>15.0 - 20.0 kW**</b>
Suitable for boats:	Up to 6 m. or 3 tons	Up to 8 m. or 5 tons	Up to 10 m. or 7.5 tons	Up to 12 m. or 10 ton
Dimensions (lxbxh) mm	558x226x219	681x295x279	681x295x279	762x307x300
Weight	39 kg	76 kg	76 kg	103 kg

\* All engines standard include a WaterWorld throttle, color display and other necessary components

\*\* This engine can be boosted to 20.0 kW for short amounts of time

## **THE ADVANTAGES OF WATERWORLD SYSTEMS**

### **AN EXAMPLE**

To give an idea of the advantages of using a WaterWorld system, we compare the 10.0 kW WaterWorld electric drive to a standard 30 Hp diesel engine.

### **SMALL & LIGHT**

The WaterWorld engines are considerably smaller and lighter than a diesel engine. This saves room in your boat and increases the ease of installation. For the difference in dimensions on the right.

### **QUIET & EMISSION FREE**

The WaterWorld engines are very silent, and function without a gearbox. Next to that, you are sailing without emissions and in a sustainable way.

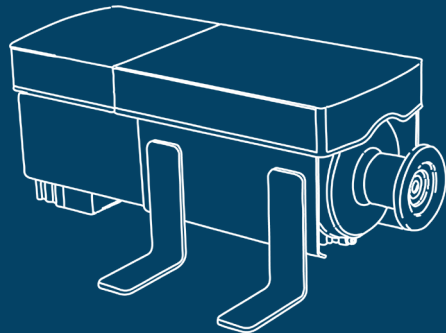
### **AIR COOLED & LOW ON MAINTENANCE**

The WaterWorld range is air cooled. So no more hassle with water filtering pots. Next to that, the electric drive needs very little maintenance compared to a diesel engine.



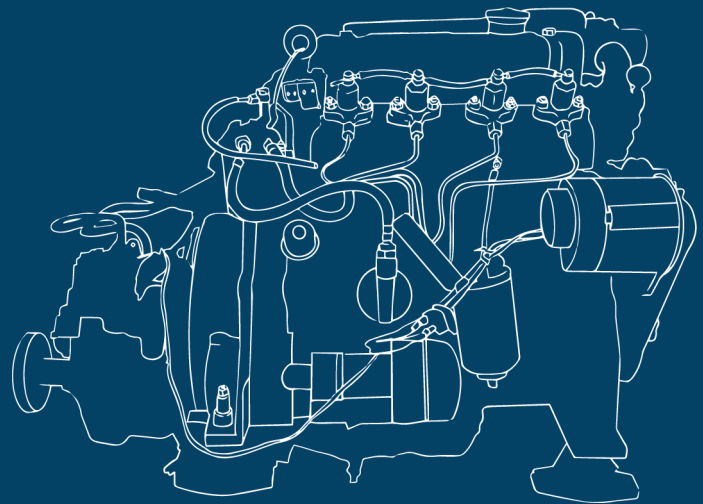
### WW E-DRIVE

Type/model:	WW model 10.0 kW
Dimensions:	681x295x279 mm
Weight:	76 kg
Maintenance:	Minimal



### DIESEL ENGINE

Type/model:	30 Hp
Dimensions:	830x490x560 mm
Weight:	>100 kg
Maintenance:	Yearly (filters, oil, wear)



## **MONITORING**

### **TOUCHSCREEN**

A touchscreen is supplied as a standard with each WaterWorld engine to track the engine & battery performance. One can easily see how much power is left and what the remaining sailing time is.

### **THROTTLE**

Every WaterWorld system comes with a unique throttle. The WaterWorld throttle is ergonomically designed and is specifically developed to control WaterWorld electric inboards. This enables the user to experience the electric drive to the fullest.

Current use of power

Sailing time left at current power



Easily check the available battery capacity

Current RPM



## WATERWORLD LITHIUM BATTERIES



## WATERWORLD BATTERY SYSTEMS

WaterWorld has developed state of the art lithium battery packs that are fully integrated with the WaterWorld drive chain. This ensures that the whole system operates smooth and reliable. That's why we offer one additional year of system warranty when combining the WaterWorld drivetrain with our WaterWorld lithium batteries. This gives you an optimal sailing experience.

## KEY BENEFITS OF WATERWORLD LITHIUM

WaterWorld lithium batteries bring some major improvements to your electric drivetrain.



LONGER LIFETIME



UP TO 3X SMALLER AND LIGHTER COMPARED TO LEAD ACID



MORE POWER AND 100% DISCHARGE



NO MAINTENANCE + PLUG AND PLAY INSTALLATION



3 YEAR SYSTEM WARRANTY



## GENERAL FEATURES

### WW 48-6500

Capacity:	6500 Wh
Nominal Voltage:	51.2 V
Max Discharge Rate:	100 A
Weight:	60 Kg
Dimensions:	650 mm x 253 mm x 213 mm
Battery Chemistry:	Lithium iron phosphate (LFP) LiFePO4

## BETTER FOR EVERYONE

WaterWorld lithium batteries contain no cobalt, are designed to be more durable and are serviceable. This results in a lower impact on the environment.



### BUILT TO LAST

ROBUST ALUMINIUM ENCLOSURE

LONG CYCLE LIFE

DECREASED HEAT ACCUMILATION

HIGHER SAFETY DUE TO BETTER CHEMICAL STABILITY

WATER RESISTANT

### BETTER FOR THE ENVIRONMENT

NO COBALT INSIDE

RECYCLABLE

SERVICEABLE BATTERY

## BATTERY SAFETY

### Lithium Iron Phosphate

Product and customer safety is our top priority. Therefore, we only use the most stable lithium chemistry available on the market. LiFePO4 does not easily go into thermal runaway which causes most fires in other lithium ion batteries.

### Robust Aluminium Enclosure

The robust aluminium 3.5 mm thick enclosure is extremely strong and durable. At the same time the aluminium functions as a heat sink cooling the battery down. This increases the lifetime of the cells and the safety of the battery.

### Cylindrical Cells

The battery is made up of 352 individual cylindrical cells. Each cell is individually protected and equipped with a vent cap, adding even more safety to the system. Cylindrical cells are also more stable compared to prismatic cells and are less likely to internal shorting on of the reasons for thermal runaway.

### Smart Battery Management

The smart battery management system (BMS) protects the battery and the cells within from any situations resulting in too high or low voltages, excessive currents, and extreme temperatures.

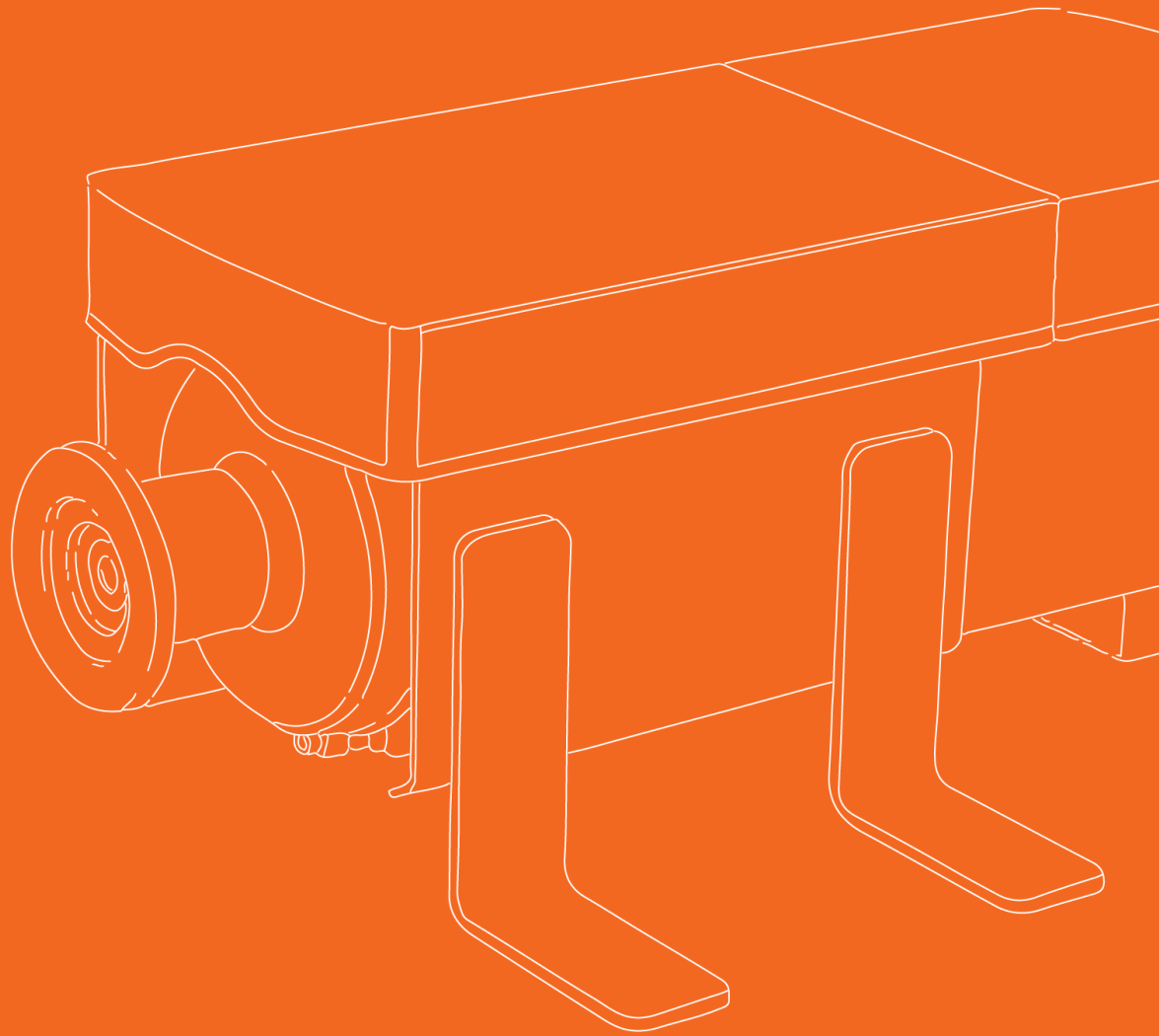
### Communication with the WaterWorld Drivetrain

The communication with the WaterWorld drivetrain enables us to actively manage the battery to the systems needs. This results in a longer battery lifetime, higher up-time and an overall more reliable system.

### Reduced Heat Accumulation

The cylindrical cells accumulate less heat compared to prismatic cells. This increases safety, operating time, cycle life and enables higher power outputs.





**Questions? Don't hesitate to contact us.**

Water World Electronics  
Weerdijk 14 – 8375 AX Oldemarkt

[info@ww-el.com](mailto:info@ww-el.com)  
Phone: 0561 451 636  
[www.ww-el.com](http://www.ww-el.com)

  
**waterworld**