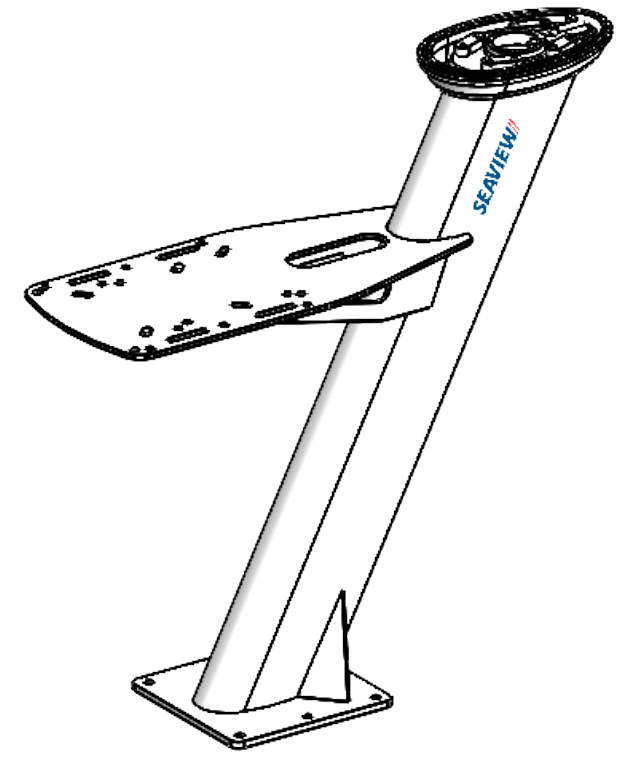
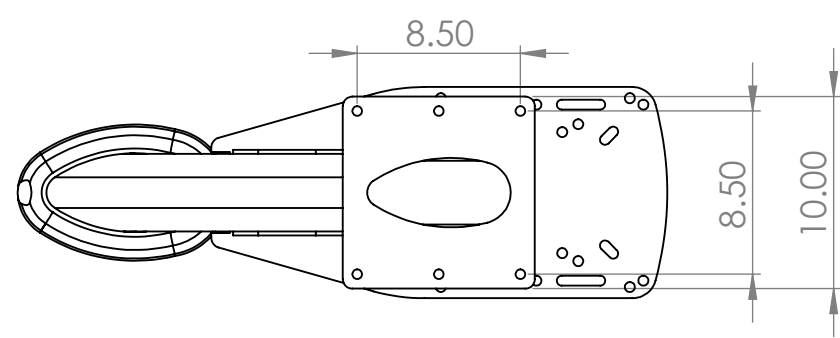
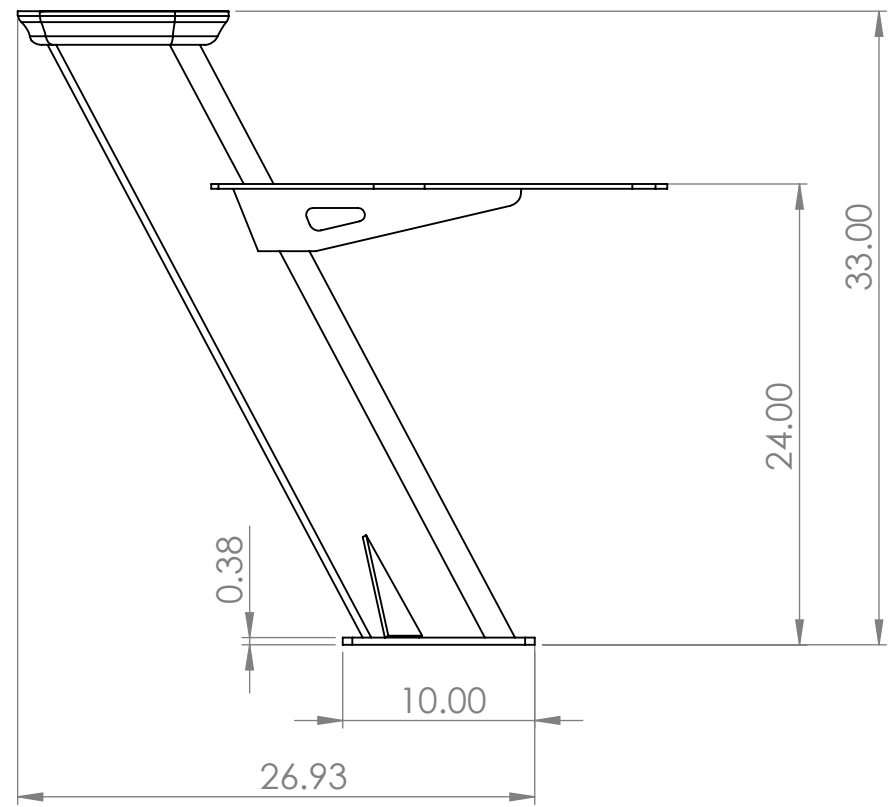



8 7 6 5 4 3 2 1

D
C
B
A



D
C
B
A

PROPRIETARY AND CONFIDENTIAL
THE INFORMATION CONTAINED IN THIS DRAWING IS THE SOLE PROPERTY OF SEAVIEW. ANY REPRODUCTION IN PART OR AS A WHOLE WITHOUT THE WRITTEN PERMISSION OF SEAVIEW IS PROHIBITED.

		UNLESS OTHERWISE SPECIFIED:		NAME	DATE	 TITLE: Extended modular dual mount
		DIMENSIONS ARE IN INCHES	DRAWN	J.A.	04.03.21	
		TOLERANCES:	CHECKED			
		FRACTIONAL ±	ENG APPR.			
		ANGULAR: MACH ± BEND ±	MFG APPR.			
		TWO PLACE DECIMAL ±.01	Q.A.			
		THREE PLACE DECIMAL ±.003	COMMENTS:			
		INTERPRET GEOMETRIC TOLERANCING PER:				SIZE
		MATERIAL				DWG. NO.
		Aluminum				REV
NEXT ASSY	USED ON	FINISH				B
		Powder coated				PMADM124M2
APPLICATION		DO NOT SCALE DRAWING				A
						SCALE: 1:10
						WEIGHT:
						SHEET 1 OF 1

8 7 6 5 4 3 2 1