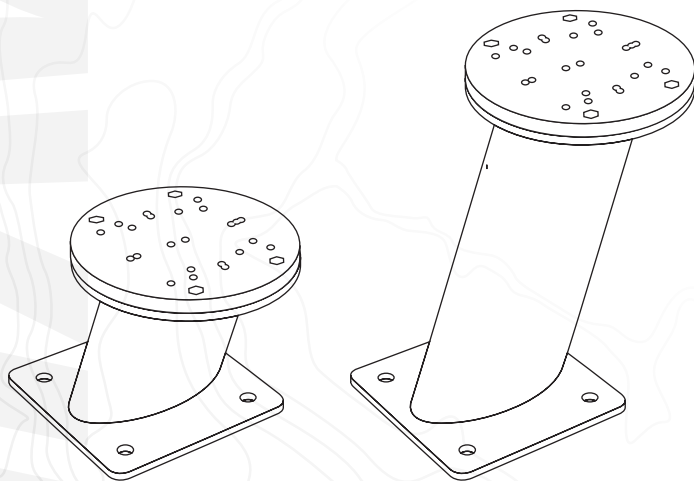


SEAVIEW

ELEVATE YOUR ELECTRONICS



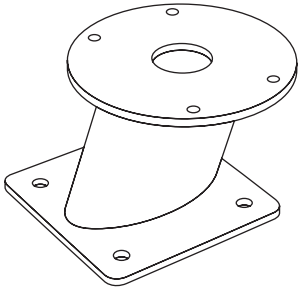
INSTALLATION INSTRUCTIONS

For Seaview Camera Mount:

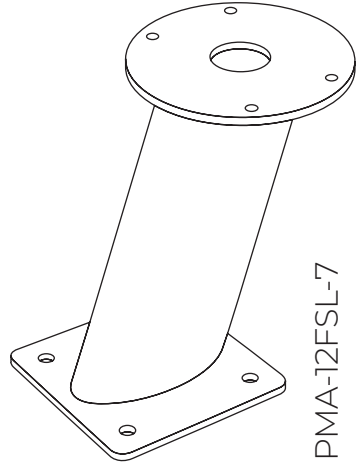
PMA-5FSL-7 / PMA-12FSL-7

Refer to website for most up to
date instructions and videos.

WWW.SEAVIEWGLOBAL.COM

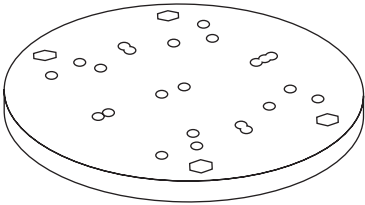


PMA-5FSL-7

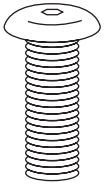


PMA-12FSL-7

x1

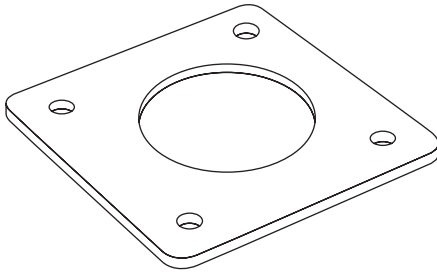


x1

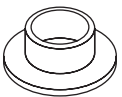


1/4 - 20 x 1"

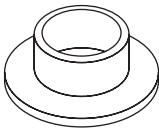
x4



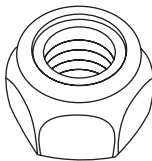
x1



x4



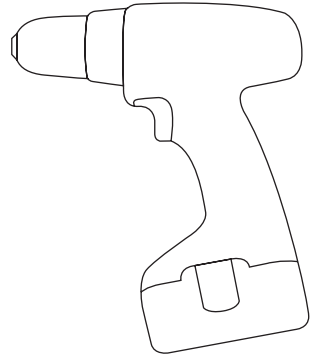
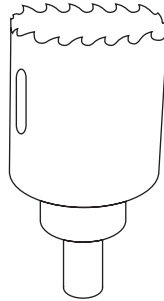
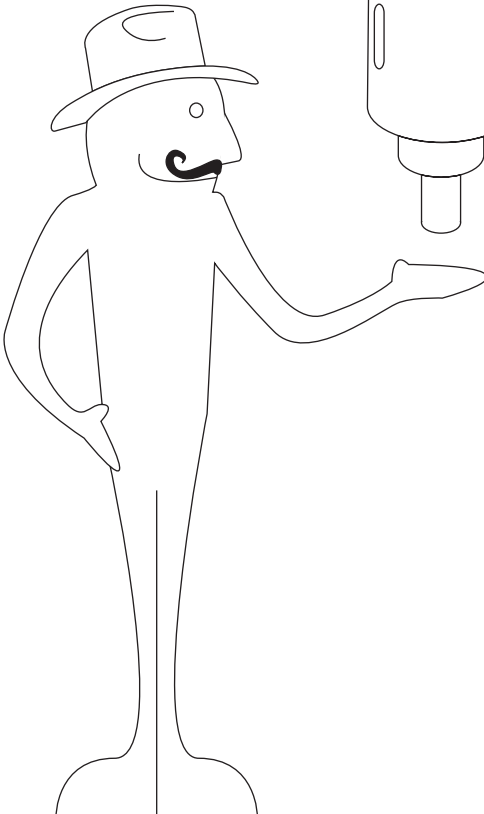
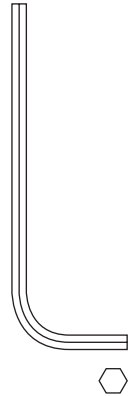
x4

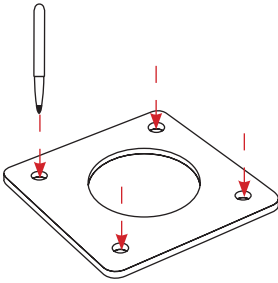
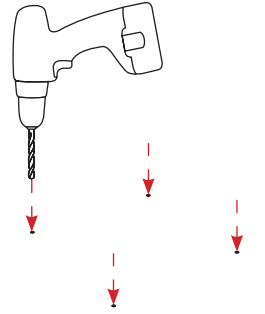
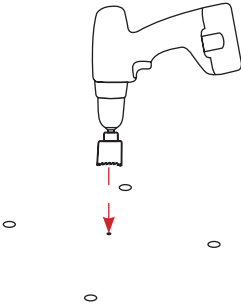


x4

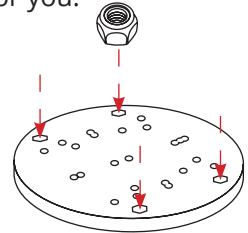
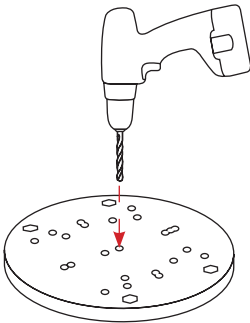
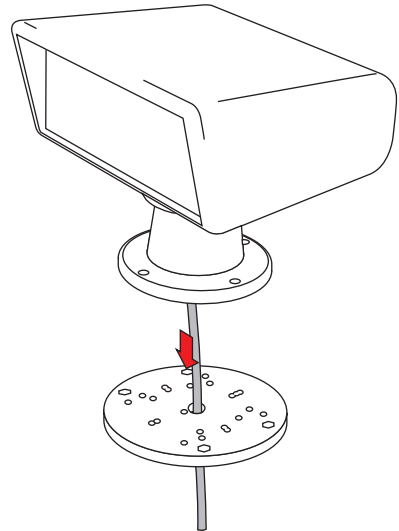
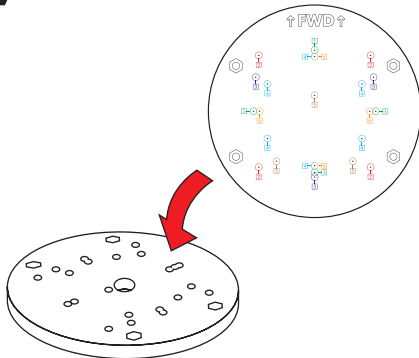


Sudbury Elastomeric Marine Sealant is recommended. To purchase call 800-655-7922 or visit www.seaviewglobal.com

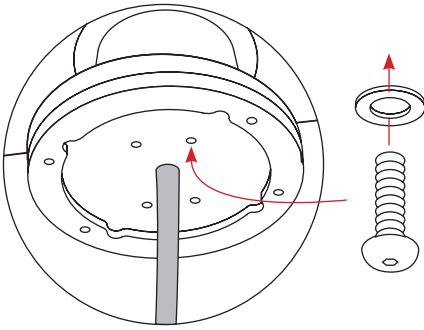


1**2****3****4**

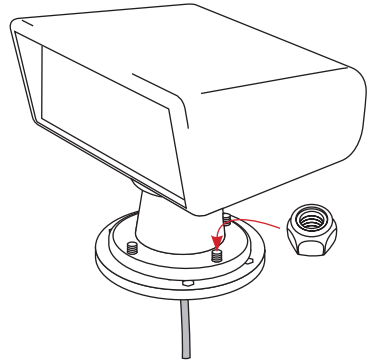
This step of inserting the nuts may have already been done for you.

**5****6****7**

8

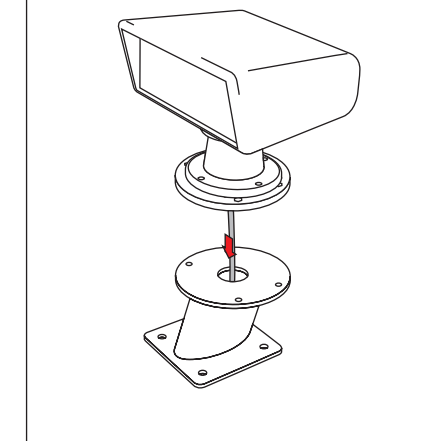
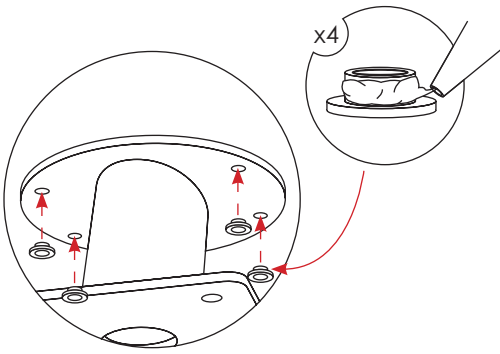


9



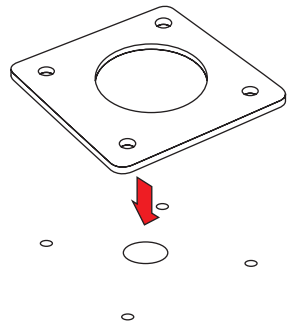
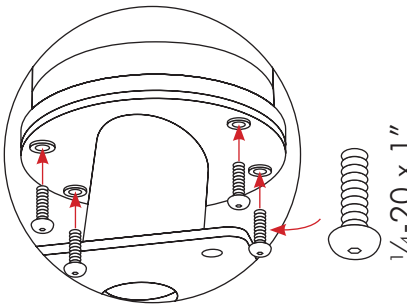
10

11

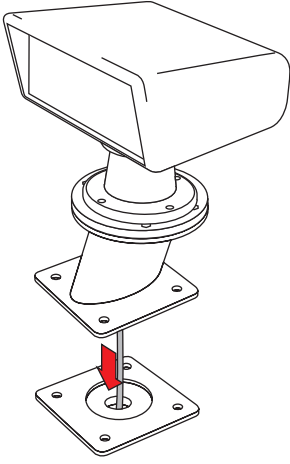


12

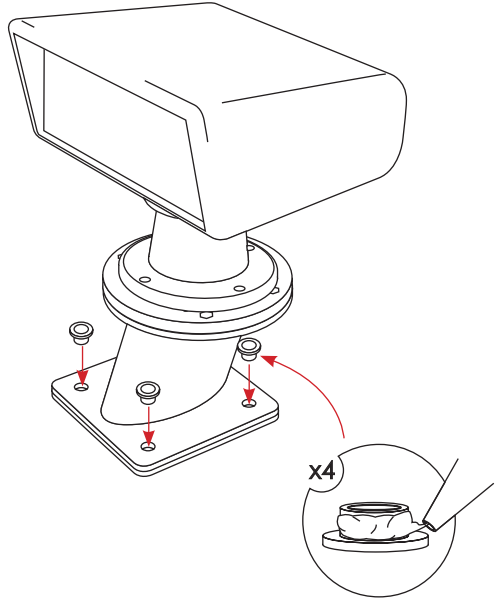
13



14



15



The background of the entire page is a light gray topographic map showing contour lines and geographical shapes. The map is centered on the Atlantic Ocean, with North America visible on the left and South America on the right.

SEAVIEW///
ELEVATE YOUR ELECTRONICS

SEAVIEW///

Tel: 800-655-7922
www.seaviewglobal.com

EUROPEAN OFFICE

Tel: +33 4 94 53 27 70
www.seaviewprogress.com

4-090820