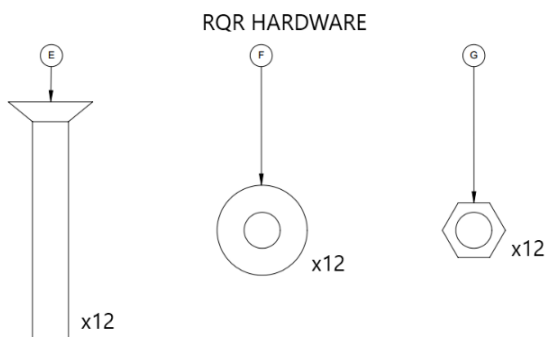
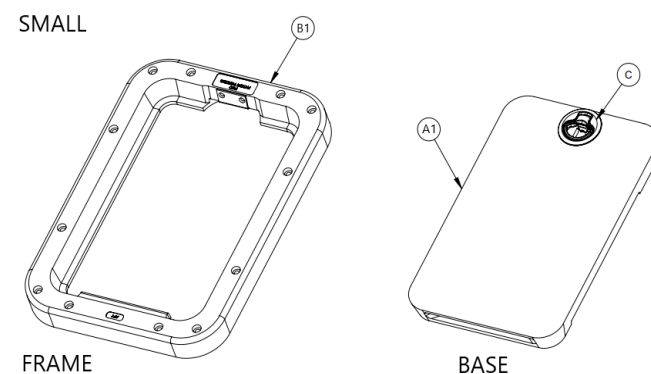
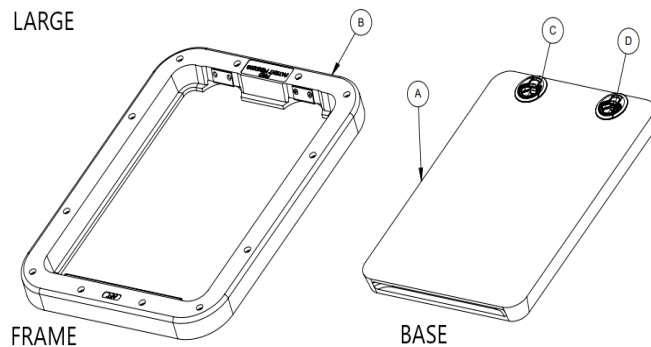


SEAVIEW

Quick Release Removable Base Installation Manual

Item	Part #	Description	Qty
A	NS108548W	LARGE BASE	1
A1	NS108554W	SMALL BASE	1
B	NS108547W	LARGE FRAME	1
B1	NS108553W	SMALL FRAME	1
C	NA109997	LOCKING LATCH	1
D	NA109998	NON-LOCKING LATCH	1
E	NS110018	SCREW 4-1/2" 1/4-20 SS	12
F	NS110019	WASHER 1/4" FLAT SS	12
G	NS110020	NUT 1/4-20 HEX NYLOC	12
H	NS11059W	WHITE SEAVIEW MODULAR MOUNTING KIT	1
I	NS110093	SEAVIEW HARDWARE KIT	1



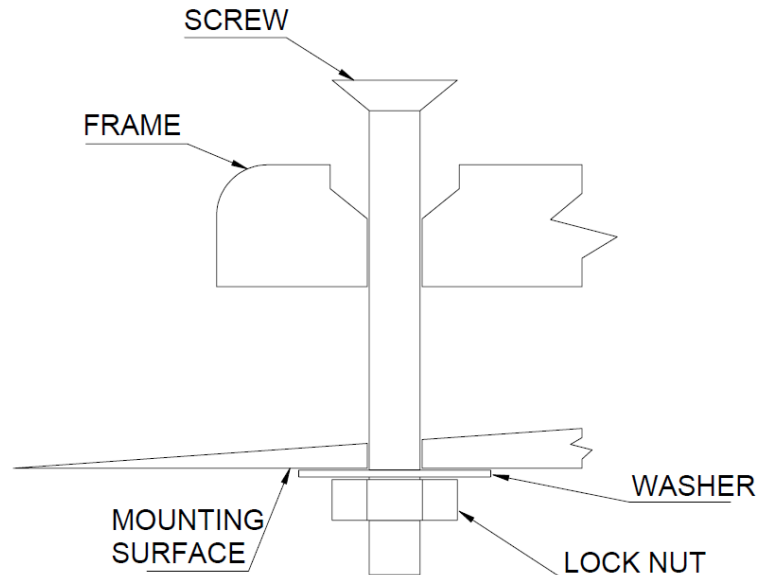
TOOLS AND RESOURCES REQUIRED

- #3 Philips Screwdriver
- 7/16" Box End Wrench
- Drill
- 17/64" Drill Bit
- Scissors
- Marine Grade Sealant

INSTALLATION

1. Make sure that the power and network cables are disconnected.
2. Determine a level area for the location of the radar or SAT TV Antenna. If using the Seaview Modular Mount and Base Plate the "FRAME" can be mounted directly over the Power/Network cables or directly in front of the location where the cables are coming through the hardtop.
3. Once the mounting location is determined, use the included template or "FRAME" itself to locate and mark the positions of the fastener holes for securing the "FRAME" to the mounting surface. **NOTE: The latch handles must be mounted in the forward position.**

4. After marking the (12) mounting holes, use a 17/64” drill bit to drill the holes.
5. Apply waterproof marine sealant around each hole, Add a 1/4-20 x 4-1/2” flat head screw (P/N: NS110018) into each of the (12) pre-drilled holes. The FRAME should be aligned with the holes on the mounting surface.
6. Add a 1/4-20 Flat Washer (P/N: NS110019) and then a 1/4-20 Nyloc Nut (P/N: NS110020) to the end of each bolt on the underside of the hardtop. Tighten with the #3 Phillips and the 7/16” Box Wrench securely.



INSTALLATION OF RADAR/SAT TV TO THE BASE

1. If using the Seaview Modular Mount and Modular Top Plate, install it to the RQR “BASE” with the included hardware(P/N NS110093) Assemble the Seaview Modular Base and Mounting plate per the Seaview Instructions.
2. If ordered use the “PIGTAILS” to make the power and Network cables quick disconnecting. The cable lengths on the hardtop should be 3-4”.

DISCLAIMER: Make sure that the latches are locked down and secured before underway. Failure to do so could lead to release of the radar/SAT unit while in motion.

Made for Seaview by

**NAUTICAL
STRUCTURES**
Marine Engineering and Manufacturing