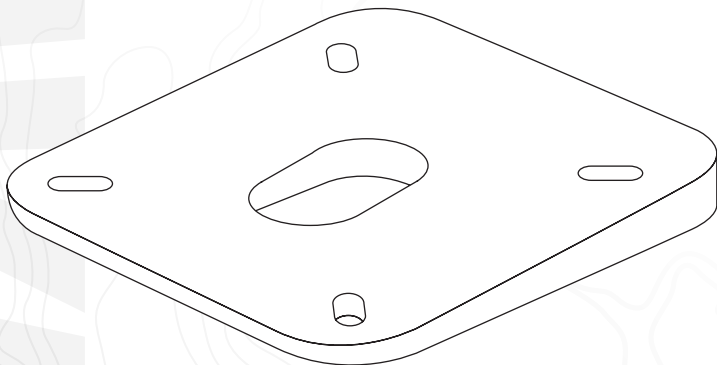


SEAVIEW

ELEVATE YOUR ELECTRONICS



INSTALLATION INSTRUCTIONS

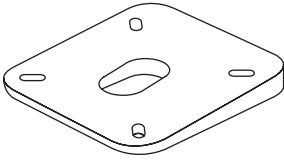
For Seaview Direct Mount Wedges:

**RW41, RW42, RW43, RW44
RW45, RW46, RW47**

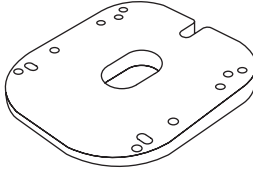
Refer to website for most up to date instructions and videos.

WWW.SEAVIEWGLOBAL.COM

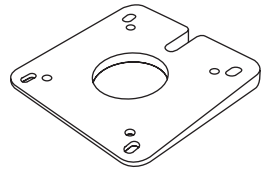
PARTS INCLUDED



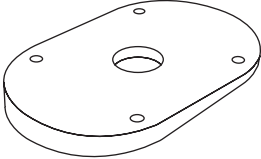
RW41



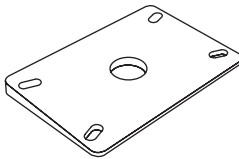
RW42



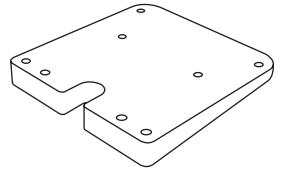
RW43



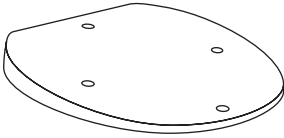
RW44



RW45



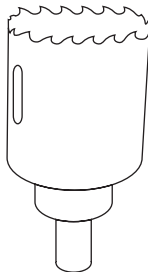
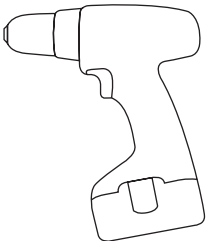
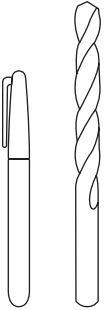
RW46



RW47

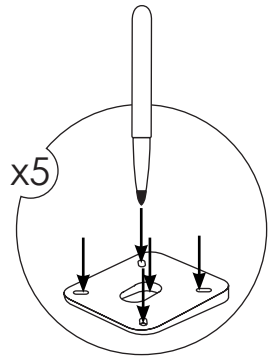
x1

TOOLS NEEDED

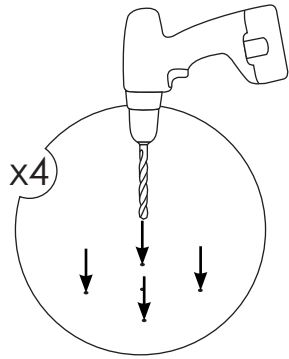


Sudbury Elastomeric Marine Sealant is recommended. To purchase call 800-655-7922 or visit www.seaviewglobal.com

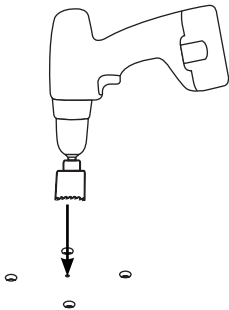
1 Place the wedge onto the mounting surface and mark all the holes.



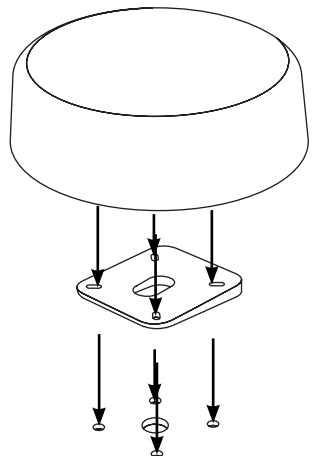
2 Drill the four bolt holes.



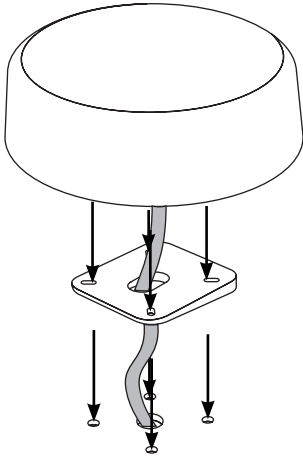
3 Use a hole saw to drill a center hole to run cables through.



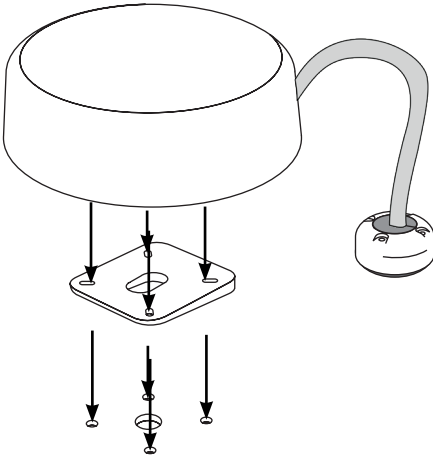
4 Apply marine adhesive sealant to the bottom of the wedge. Then mount your radar to the wedge and secure into place.



5a



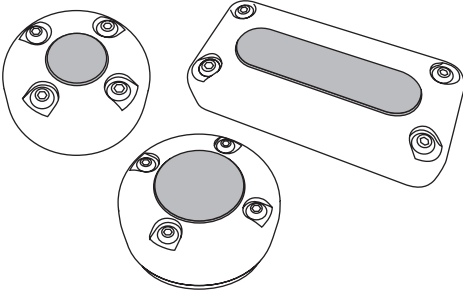
5b



OPTIONAL ACCESSORIES

Call 800-655-7922 or visit www.seaviewglobal.com for available accessories.

CABLE SEALS



Seaview Cable Seals provide waterproof cable routing.

The background of the entire page is a light gray topographic map with white contour lines. The lines are irregular and wavy, representing terrain elevation. The map covers the entire page, with the text elements overlaid on it.

SEAVIEW///
ELEVATE YOUR ELECTRONICS

SEAVIEW///

Tel: 800-655-7922
www.seaviewglobal.com

EUROPEAN OFFICE

Tel: +33 4 94 53 27 70
www.seaviewprogress.com