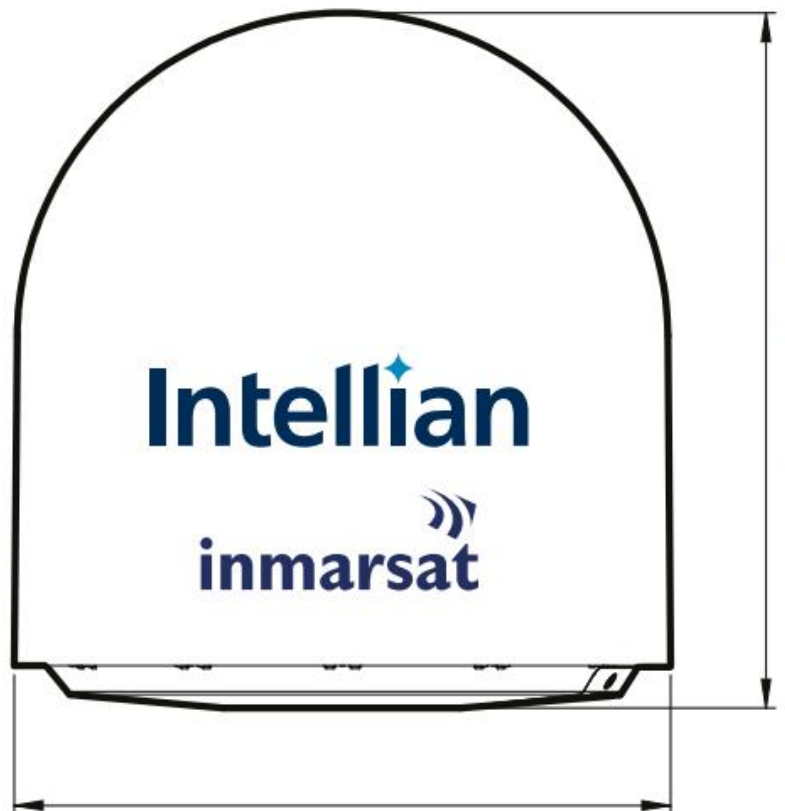
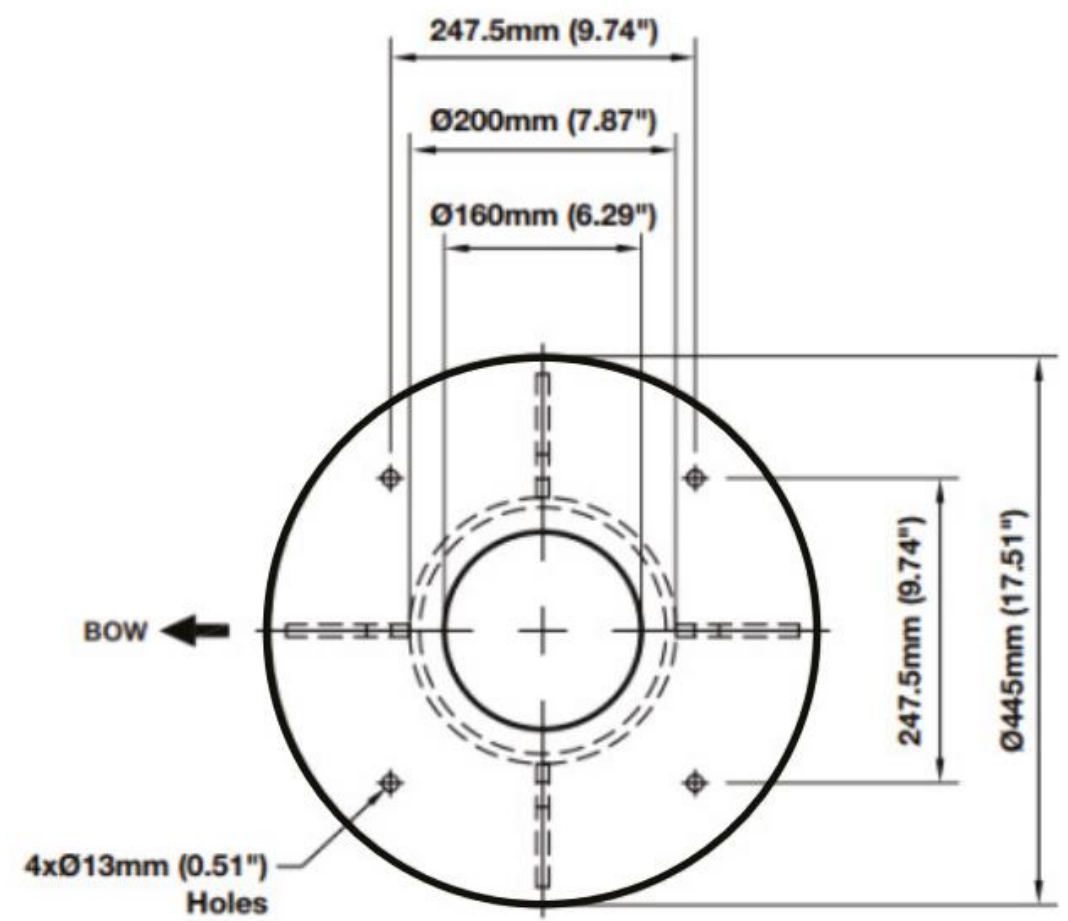


ADU



860mm (33.85")

925 mm (36.4")



247.5mm (9.74")

Ø200mm (7.87")

Ø160mm (6.29")

BOW ←

247.5mm (9.74")

Ø445mm (17.51")

4xØ13mm (0.51")
Holes